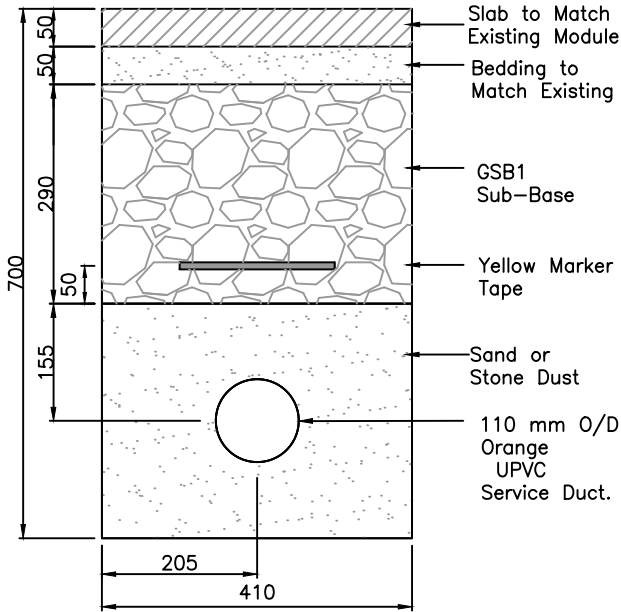
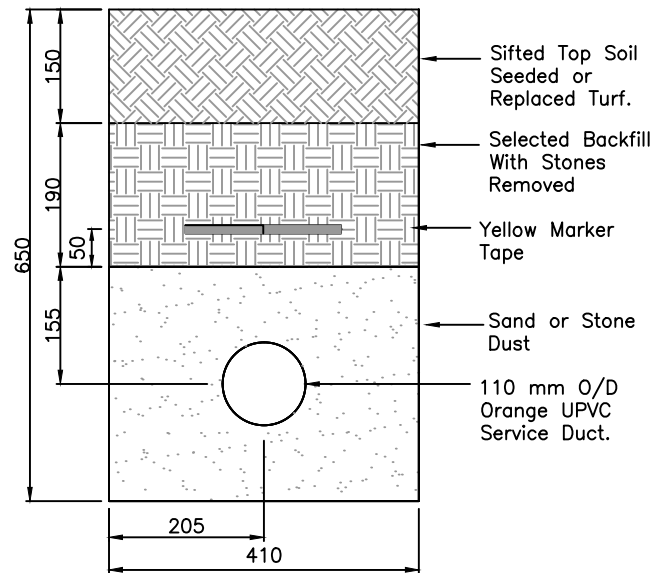


Rev.	Amendments	Date	Made By	Chk'd By

Reinstatement Details For Paved Footways



Reinstatement Details For Grass Verges



**NOTES**

1. All service ducts shall be of "Twinwall" construction manufactured from UPVC.
2. Ducts shall have an internal diameter of 100 mm and an outside diameter of 110 mm.
3. Ducts shall be coloured "Orange" and inscribed "Street Lighting" at not more than 1.0 metre intervals.
4. The ducts shall be laid in the trench so that the inscription is uppermost.
5. All excavated materials must be removed off site and not used as backfill.
6. Selected excavated materials may be used for backfilling trenches in verges.

SERVICE DUCTS AND REINSTATEMENT IN PAVED FOOTWAYS AND VERGES

HIGHWAY DESIGN GUIDE STANDARD DETAILS

RHONDDA CYNON TAF  
COUNTY BOROUGH COUNCIL



Drawn	CLF
Checked	RMD
Date	Jan 14
Scale	NTS
Drg. No.	320
Rev.	