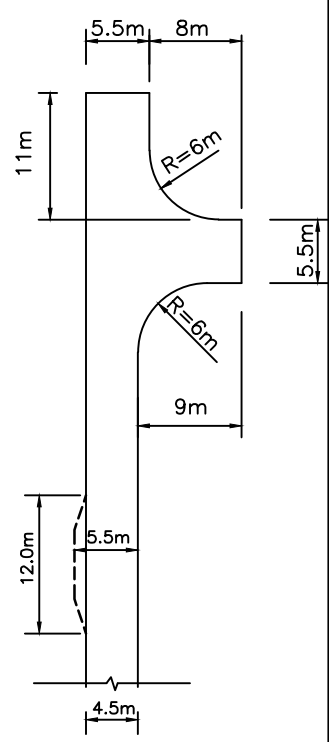
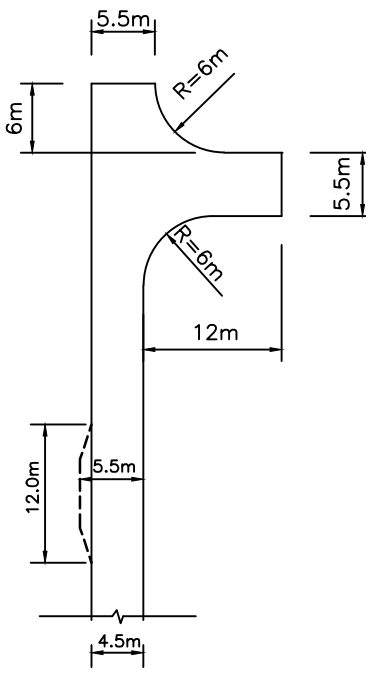
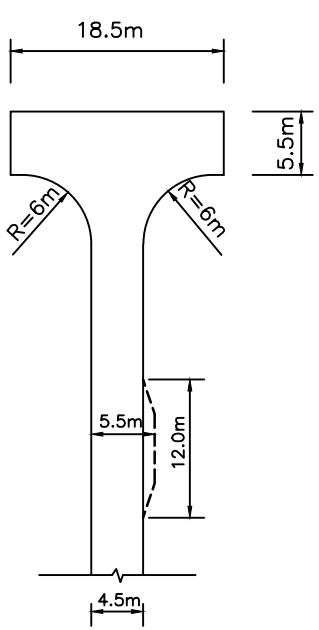
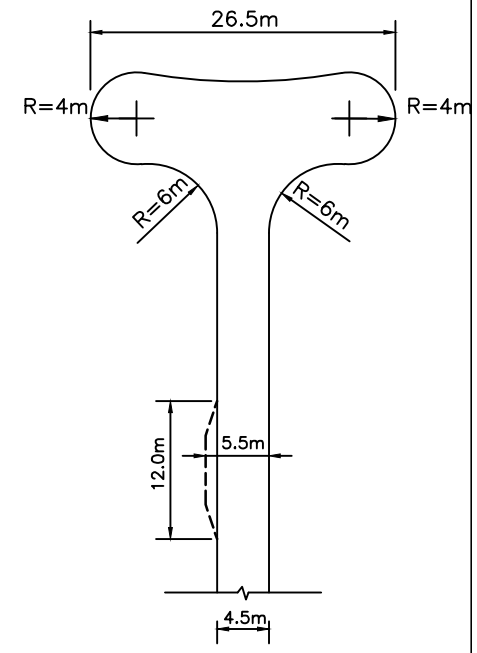
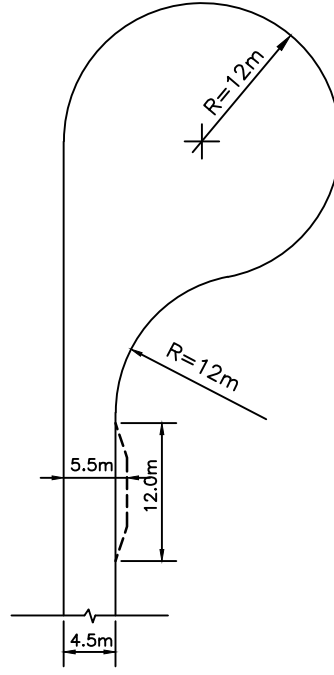
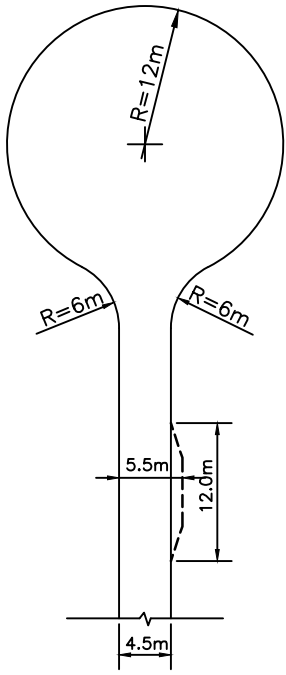


Rev.	Amendments	Date	Made By	Chk'd By



NOTES

1. No boundary wall/fence etc. to be erected within 1 metre of the kerb edge. (Developer should ensure that this is clearly included as a condition within the conveyance).
2. Variations may be proposed as long as a swept path analysis is provided to ensure service and delivery vehicles can turn.
3. Locations of passing bays to be determined on a site by site basis taking account of topography and visibility constraints and the alignment of the drive.

TURNING AREAS – PRIVATE DRIVE (IN EXCESS OF 45M)

HIGHWAY DESIGN GUIDE STANDARD DETAILS

**RHONDDA CYNON TAF
COUNTY BOROUGH COUNCIL**



Drawn	AR
Checked	SZ
Date	Apr '12
Scale	NTS
Drg. No.	103
Rev.	