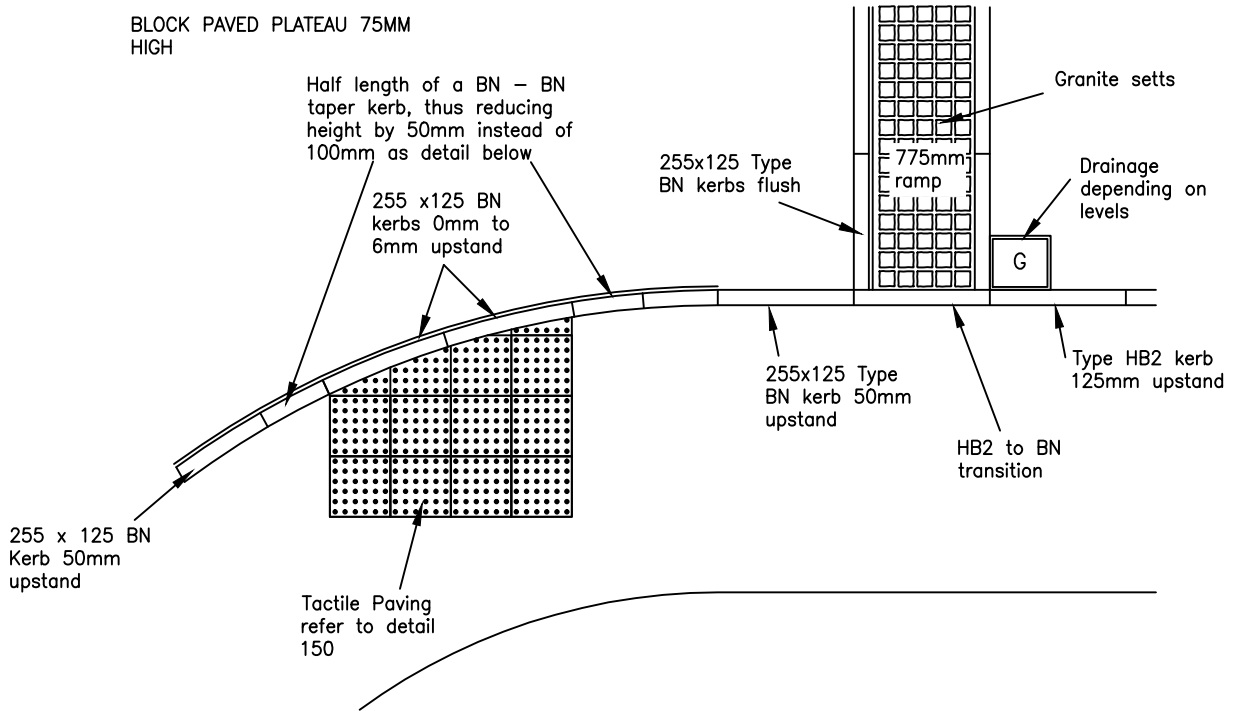
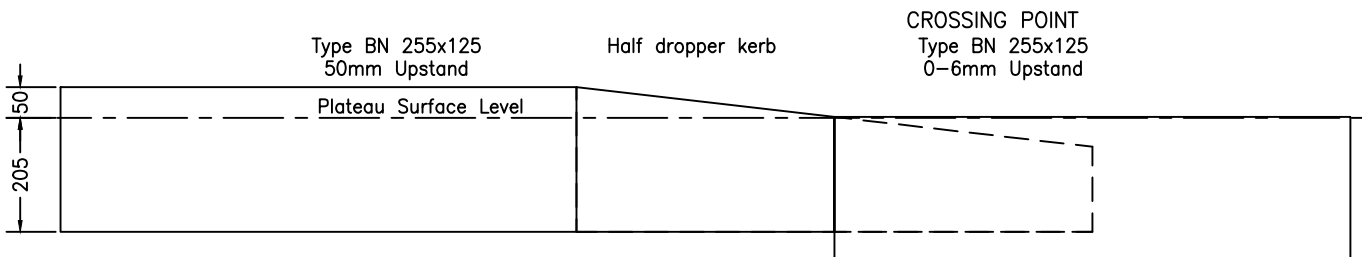
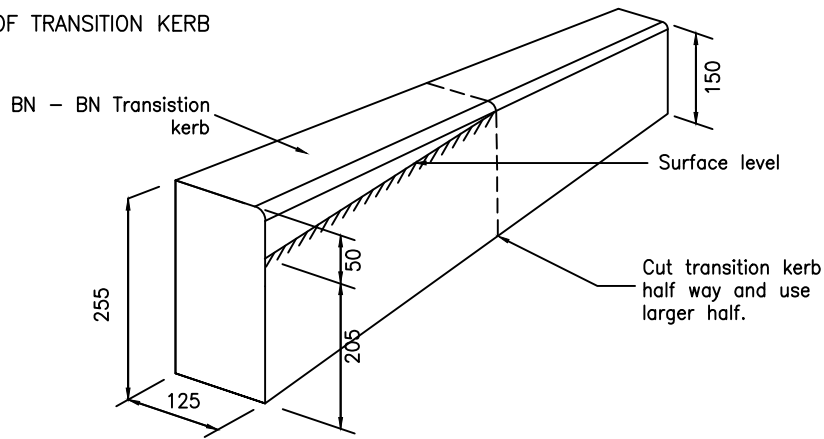


Rev.	Amendments	Date	Made By	Chk'd By

BLOCK PAVED PLATEAU 75MM HIGH



TREATMENT OF TRANSITION KERB



JUNCTION PLATEAU KERBING

HIGHWAY DESIGN GUIDE STANDARD DETAILS

RHONDDA CYNON TAF
COUNTY BOROUGH COUNCIL



Drawn	AR
Checked	SZ
Date	Nov '12
Scale	NTS
Drg. No.	185
Rev.	