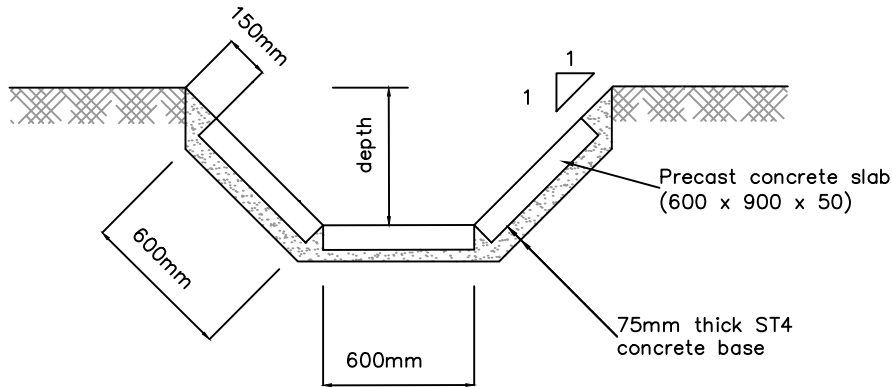
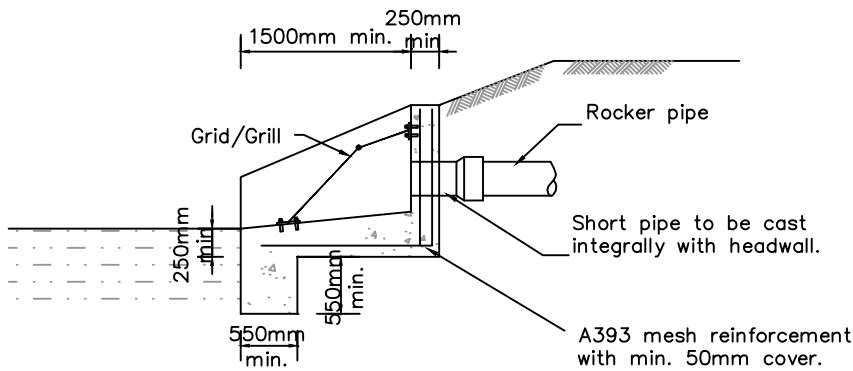


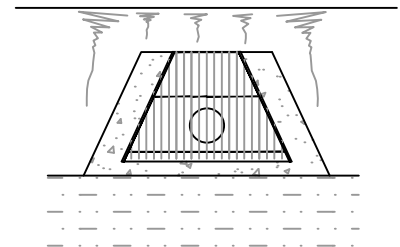
Rev.	Amendments	Date	Made By	Chk'd By



LINED DITCH DETAIL



SECTION A-A



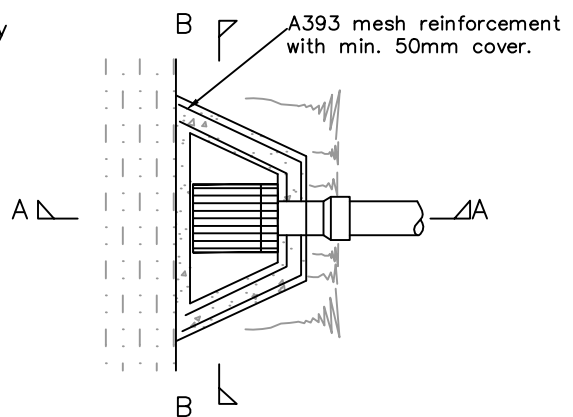
SECTION B-B

OUTFALL DETAIL

NOTES

The Environment Agency Wales must be contacted prior to any work being carried out on water courses to ensure compliance with: -

1. Environment Act 1995.
2. Land Drainage Act 1991 - Sections 17 or 23
3. Water resources Act 1991 - Section 109
4. Flood defence (Land Drainage) Byelaws/Sea Defence Byelaws.
5. Flood and Water Management Act 2010.
6. All Steel to be Grade 43 mild Steel.
7. After welding grille to be hot dip galvanised to BS EN ISO 1461.
8. Surface finishing of concrete is to be F1 on unexposed faces and F2 on exposed faces.
9. All dimensions are in millimetres unless otherwise stated.



LINED DITCH AND OUTFALL

HIGHWAY DESIGN GUIDE STANDARD DETAILS

RHONDDA CYNON TAF
COUNTY BOROUGH COUNCIL



Drawn	DA
Checked	SZ
Date	Apr '11
Scale	NTS
Drg. No.	212
Rev.	