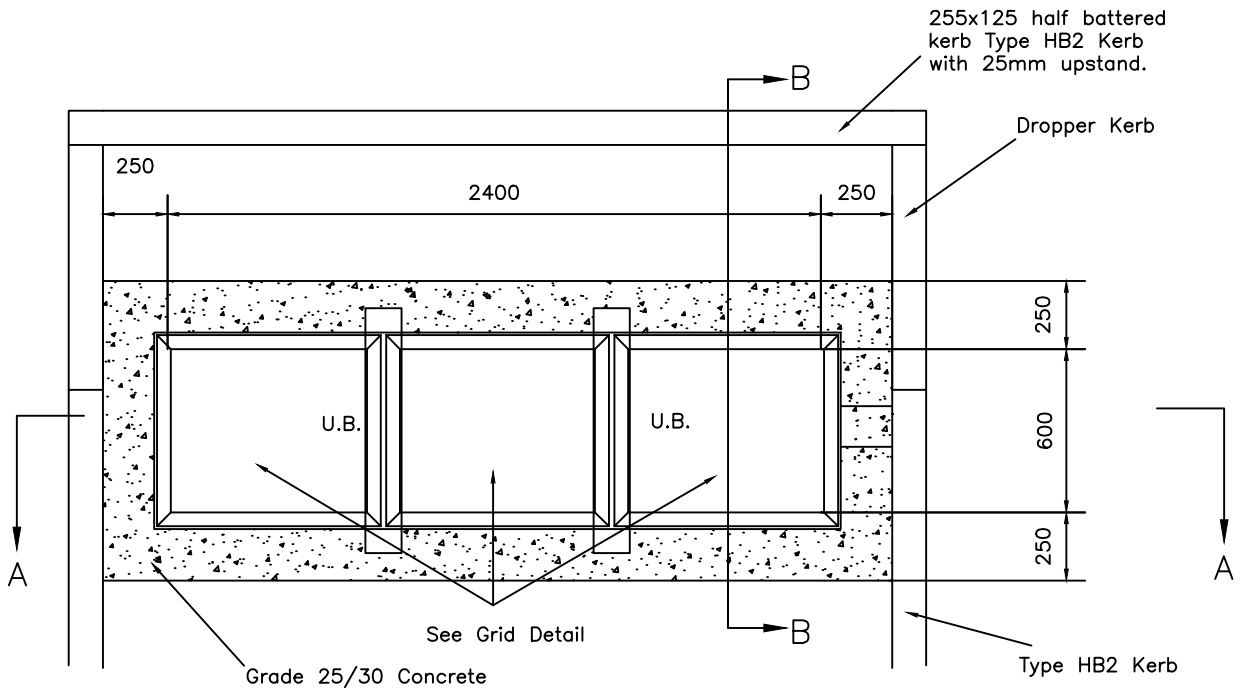
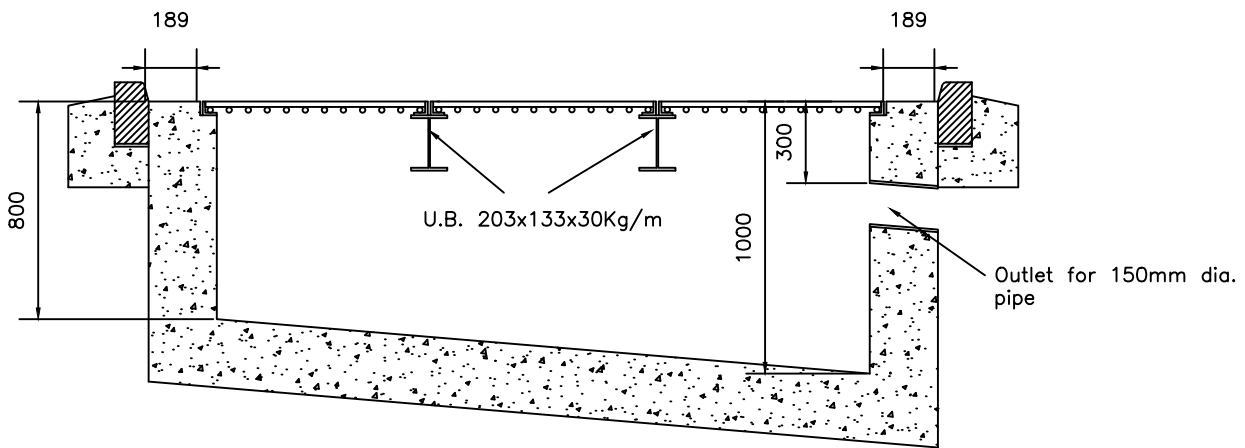


Rev.	Amendments	Date	Made By	Chk'd By



Plan



Section A-A

SILT/GRAVEL TRAP

HIGHWAY DESIGN GUIDE STANDARD DETAILS

RHONDDA CYNON TAF
COUNTY BOROUGH COUNCIL



Drawn	DA
Checked	SZ
Date	Apr '11
Scale	NTS
Drg. No.	219
Rev.	