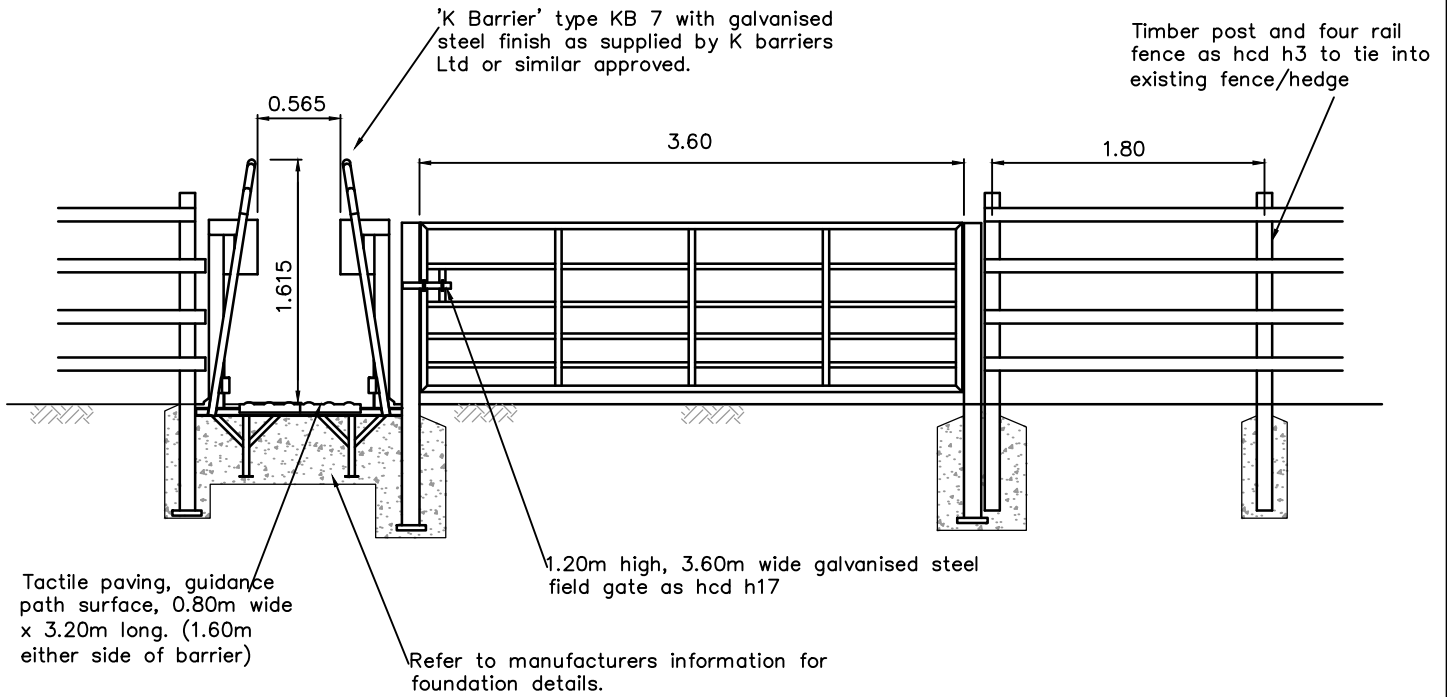


Rev.	Amendments	Date	Made By	Chk'd By



GENERAL ARRANGEMENT OF 'K BARRIER', TYPE H17 GATE AND TYPE H3 FENCE.

PEDESTRIAN AND CYCLE STAGGERED BARRIERS

HIGHWAY DESIGN GUIDE STANDARD DETAILS

RHONDDA CYNON TAF
COUNTY BOROUGH COUNCIL



Drawn	DA
Checked	SZ
Date	Apr '11
Scale	NTS
Drg. No.	256
Rev.	