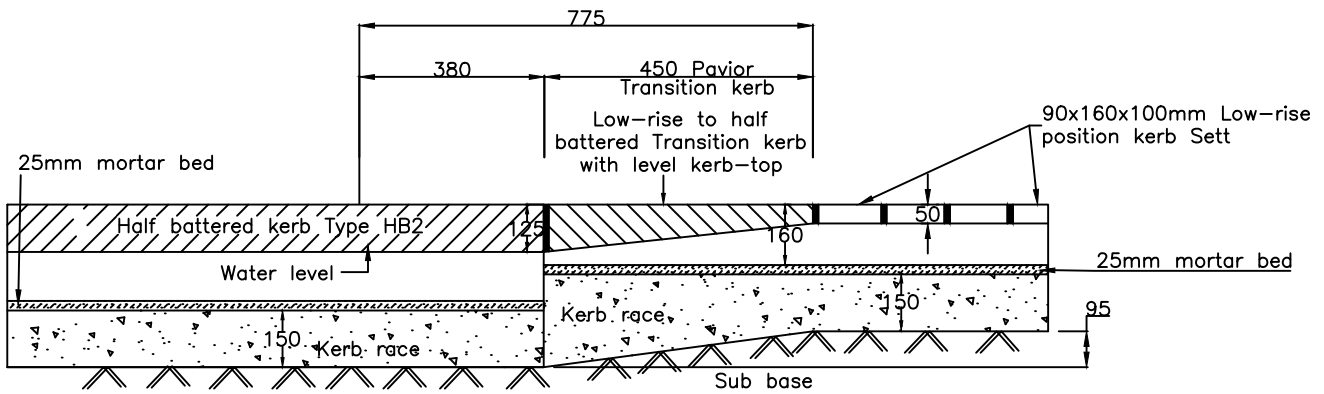
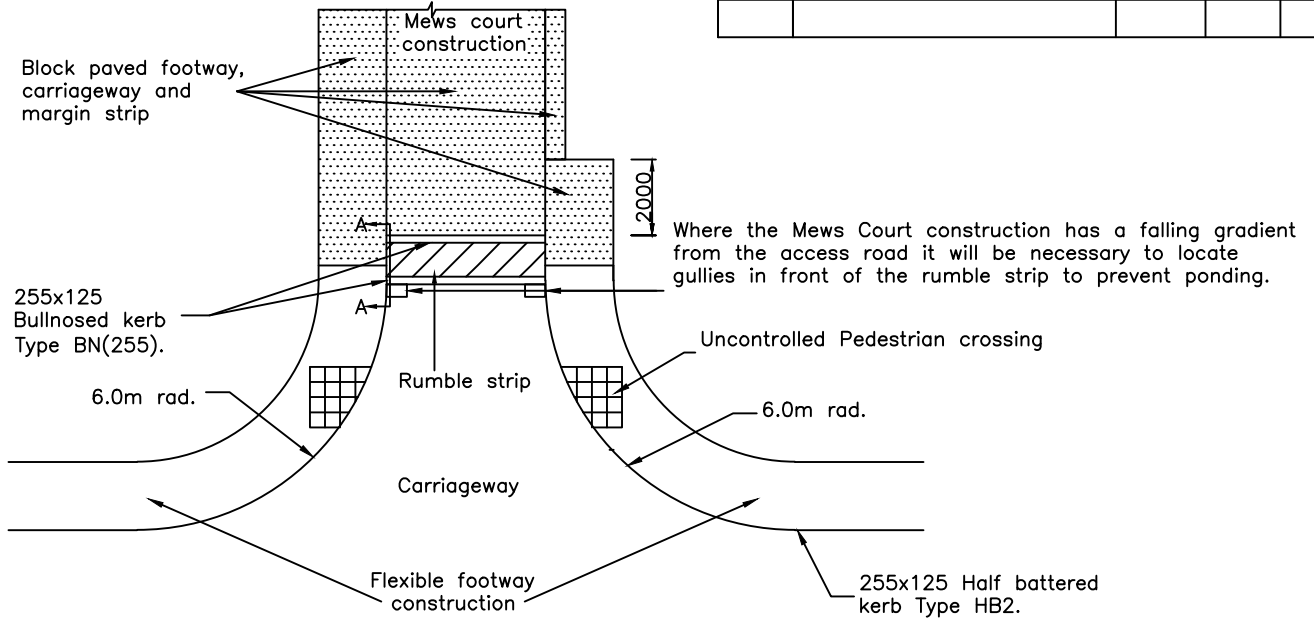
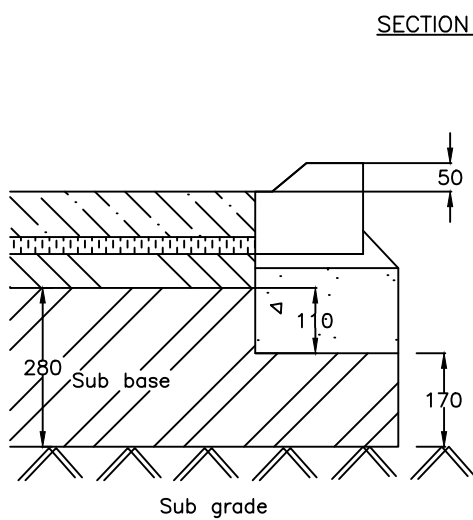


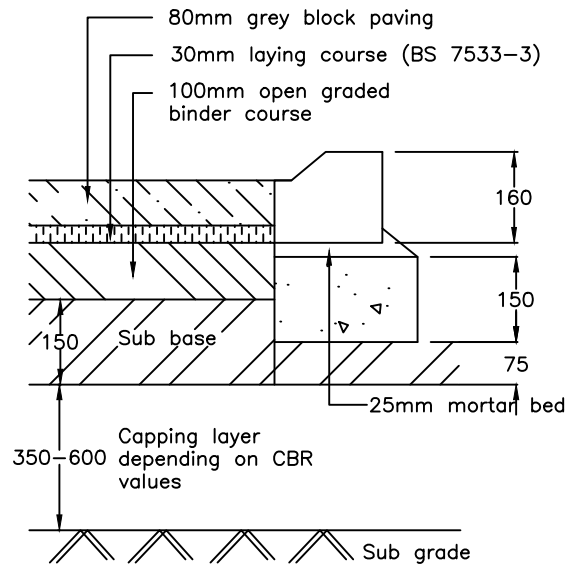
Rev.	Amendments	Date	Made By	Chk'd By



SECTION A-A



CONSTRUCTION WITH CBR > 5%



CONSTRUCTION WITH CBR < 5%

MEWS COURT – KERBS

HIGHWAY DESIGN GUIDE STANDARD DETAILS

RHONDDA CYNON TAF
COUNTY BOROUGH COUNCIL



Drawn	DA
Checked	SZ
Date	Apr '11
Scale	NTS
Drg. No.	122
Rev.	