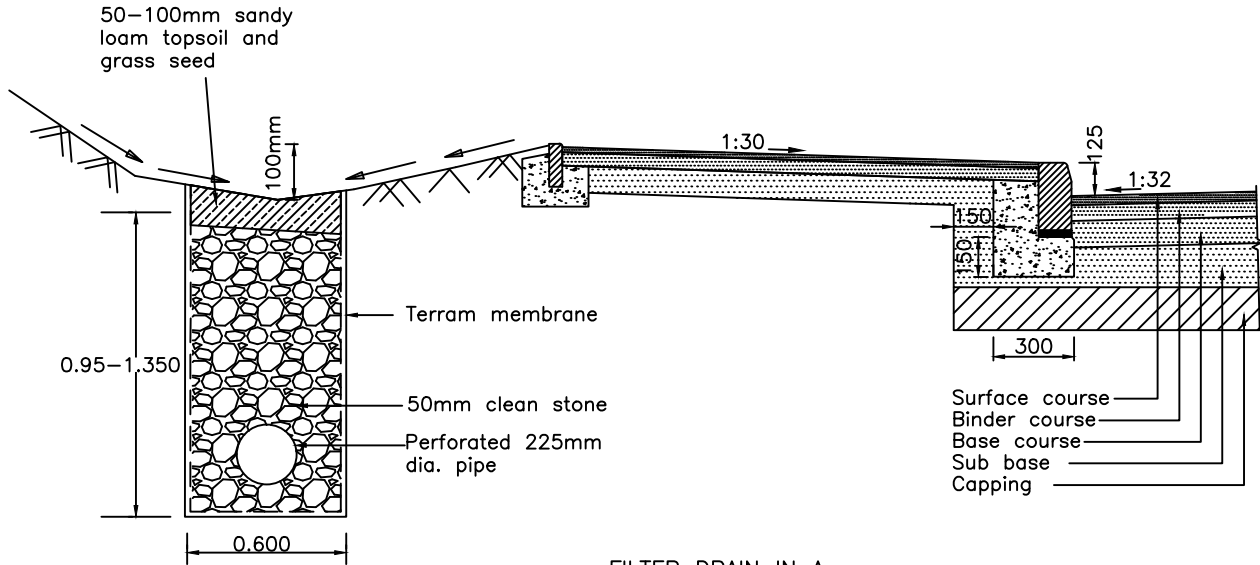
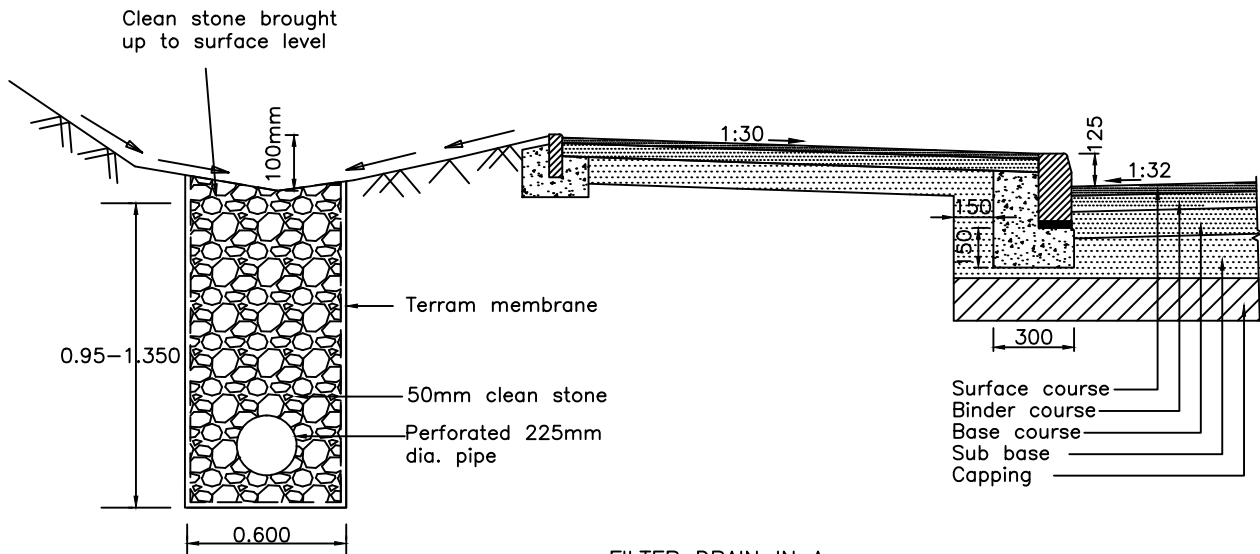


Rev.	Amendments	Date	Made By	Chk'd By



FILTER DRAIN IN A RESIDENTIAL LOCATION



FILTER DRAIN IN A RURAL LOCATION

NOTES

1. A positive drainage connection must be provided together with access chambers

FILTER DRAIN

HIGHWAY DESIGN GUIDE STANDARD DETAILS

RHONDDA CYNON TAF
COUNTY BOROUGH COUNCIL



Drawn	DA
Checked	SZ
Date	Apr '11
Scale	NTS
Drg. No.	218
Rev.	